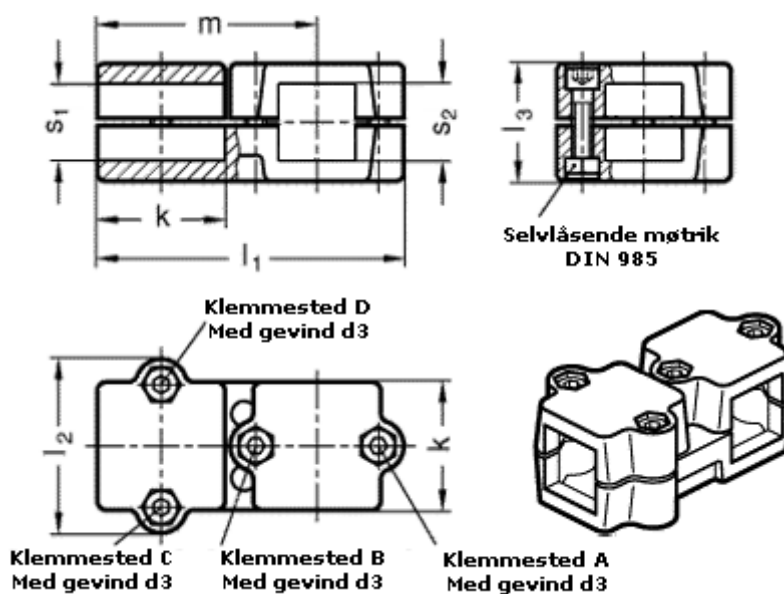


Article number: 20194V40V402BL

Description: E+G
T-angel clamps GN194-V40-V40-2-BL

Measures



d3 = M10

k = 76

l1 = 176

l2 = 98

l3 = 70

m = 126

s1 = 40

s2 = 40